
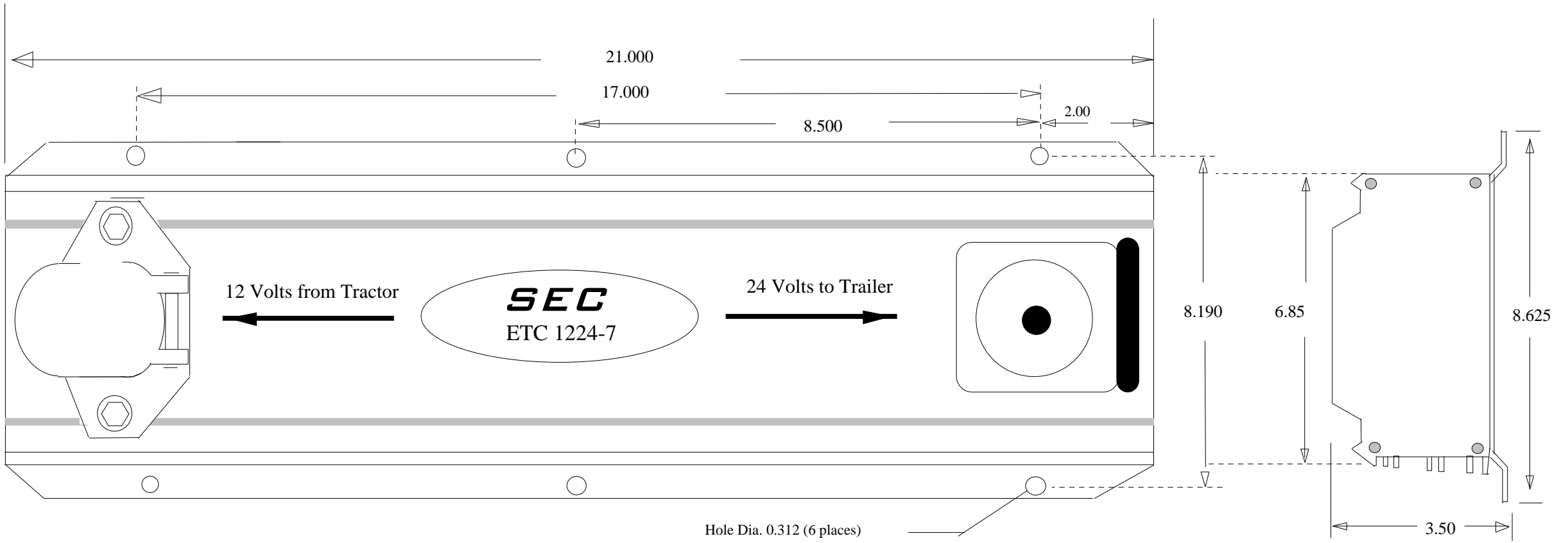


J1 (Input)

J2 (Output)

 = 12V to 24V conversion module

SEC America, LLC		
S. Burlington, VT 05407		
ETC 1224-7 Wiring Diagram		
SIZE A	11 - 0230	REV 1
DATE	April 10, 2002	SHEET 1 of 1
Drawn By:		CJ



Top View

SEC America, LLC			
S. Burlington, VT 05407			
Mat'l	N/A	Scale	Drawn by: CJ
		NTS	Approved by: EH
Title ETC 1224-7 Line Drawing			
Date	3/12/2007	Drawing No.	92-2419